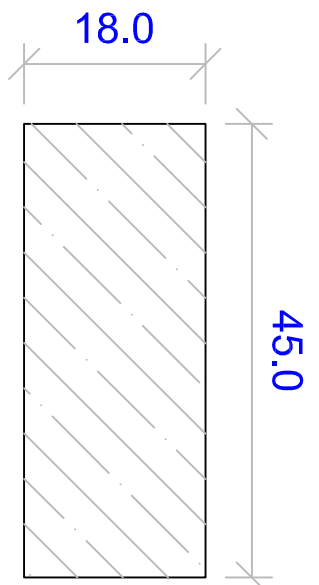
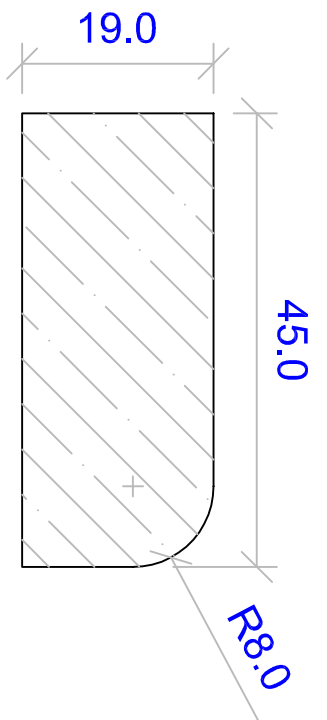


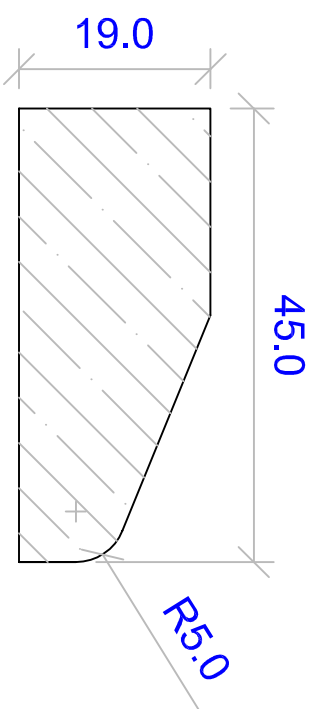
Hanson & Beards Std Architrave Through Sectional Dwg



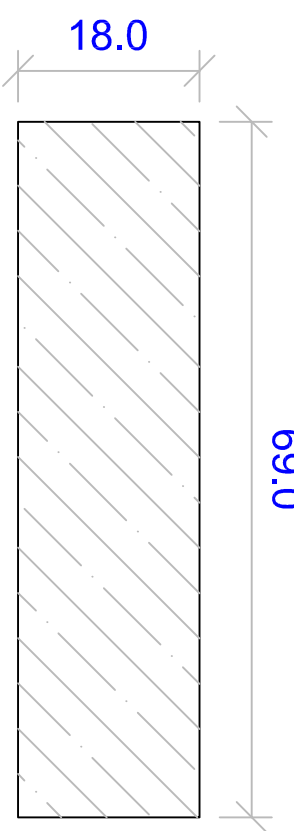
AR-T01



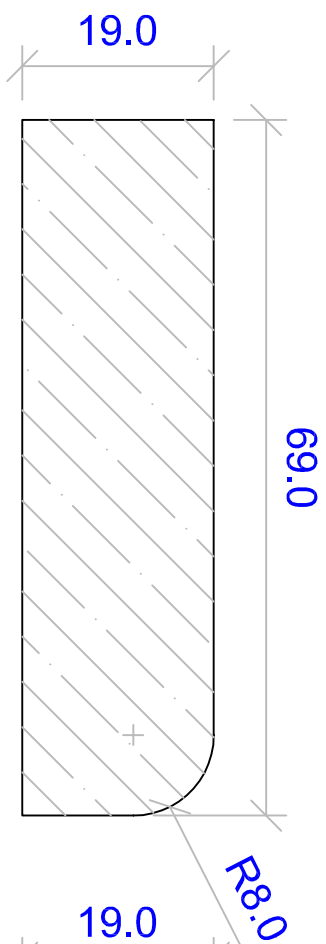
AR-T02



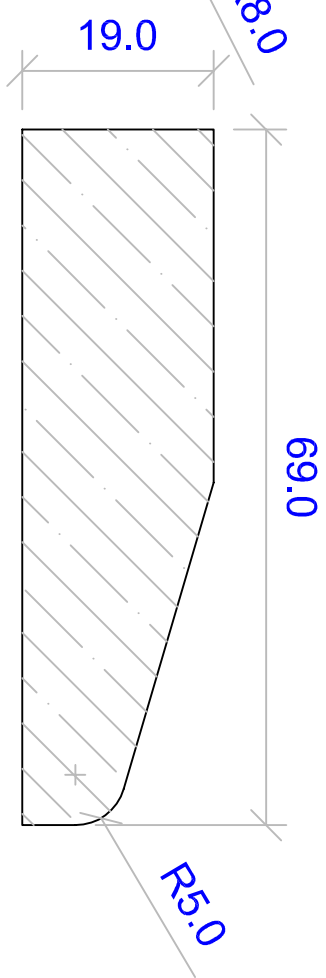
AR-T03



AR-T04



AR-T05



AR-T06

This drawing, and its contents, are the property of Hanson & Beards Ltd. Any proposed amendments to this drawing must have prior written permission from Hanson & Beards Ltd. DRAWING NOT SCALE



Tel : 01422 306830
 Fax : 01422 306831
www.hansonandbeards.co.uk
info@hansonandbeards.co.uk

Title/Description
 Through Sectional Detail - Architrave

All dimensions in millimetres
 unless otherwise stated

Drawing Number
 DWG019

Date Drawn
 24/01/13

Rev no
 0